








Streamlav Wing Rx

SLW01RX

Single User Lavatory System

 <p>30" to 60" x 20" x 13¾"</p>	<p>Intersan Faucets:</p>  <p>See faucet spec</p>	  <p>IAPMO Z124-2011/CSA B45.5-11 IAPMO IGC156 ASME A112.18.2-2011/CSA B125.2-11</p>	 <p>Drain: 1 ½" Supplies: ½" Inlet Pressure: 20 to 100 psi</p>	<p>Compliance:</p> <p>ADA TAS Alberta Building Code Ontario Barrier Free (A-Models only) BC Building Code (A-Models only) Code de Construction Québec (Seulement Modèles A.)</p>
--	--	--	---	---

Material & Construction

The innovative bowl is made from anti-microbial solid surface. Solid surface is a composite material of acrylic polyester polymer resins and aluminum trihydrate fillers. The material is resistant to stains and burns and complies with ANSI Z124.3. Solid surface cleans easily with Scotchbrite®, household cleaners or fine grit sandpaper. Solid surface is available in 25 colors.

The Streamlav Wing includes heavy gauge steel powder coated support brackets.

The Streamlav Wing is supplied with one stainless steel strainer (and optional overflow) per bowl. The fixture is supplied with a brass p-trap. If faucets are supplied it comes with a PEX supply manifold.

Anti-microbial

The Streamlav Wing bowl is manufactured with an anti-microbial agent. The agent is present both on the surface and on the inside of the material and will not dissipate or scratch off. In contact with moisture, anti-microbial ions will be released and effectively kill bacteria.

Standard Equipment

Countertop in anti-bacterial solid surface material, steel mounting bracket, tail piece & polypropylene skirt

Optional Equipment

The Streamlav Wing can be supplied with any of Intersan's faucets or can be drilled for faucets by others.

When choosing faucets by others try to minimize splashing by choosing faucets that are less than 4.5" in height (base faucet to aerator bottom). Aerators with a spray pattern are preferably 0.38 GPM or less, laminar or aerated aerators are preferably 0.5 GPM or less.

Configurations

The Streamlav Wing can be supplied with custom length side wings. The length of either the left or right side wing can vary between 0" and 15" (with 1" increments).

As an alternate the Streamlav wing can be supplied with rounded corners.

Application



The Streamlav Wing is intended for handwashing only. It is not to be used to dispense water for human consumption either by drinking or use in the preparation of food or beverages.

Installation



The Streamlav Wing Rx will get the most ligature resistant features when installed in an alcove or installed against at least 2 perpendicular walls. Installing the fixtures with no wall on either side will increase the risk of ligature considerably.

Warranty

Warranty: 5 years limited warranty on material and 1 year limited warranty on components.

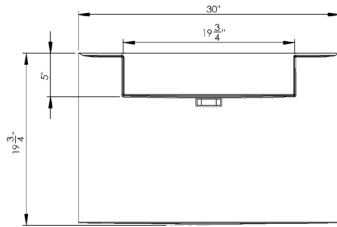
SAMPLE SPECIFICATION

Fixture shall be Intersan Streamlav Wing Rx single user hand wash station. Countertop is made from anti-microbial solid surface. The unit will have a solid surface drain cover/stainless steel skirt and will have no/an overflow. The unit will be xx (30" to 60") long.

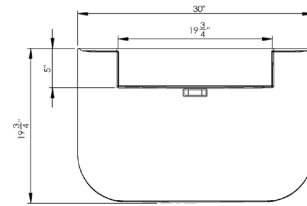


WARNING: Cancer and Reproductive Harm
www.P65Warnings.ca.gov

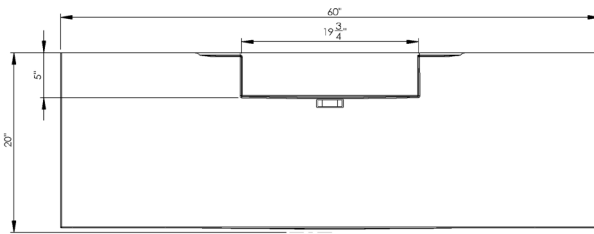
Top Views



SLW01RX-L00R00

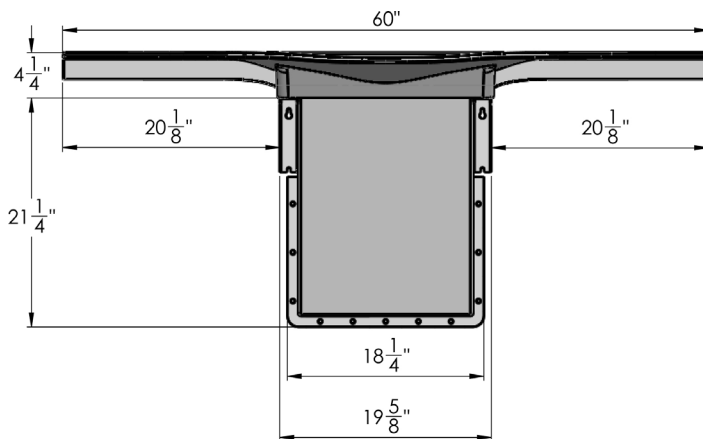


SLW01RX-L00R00-RD

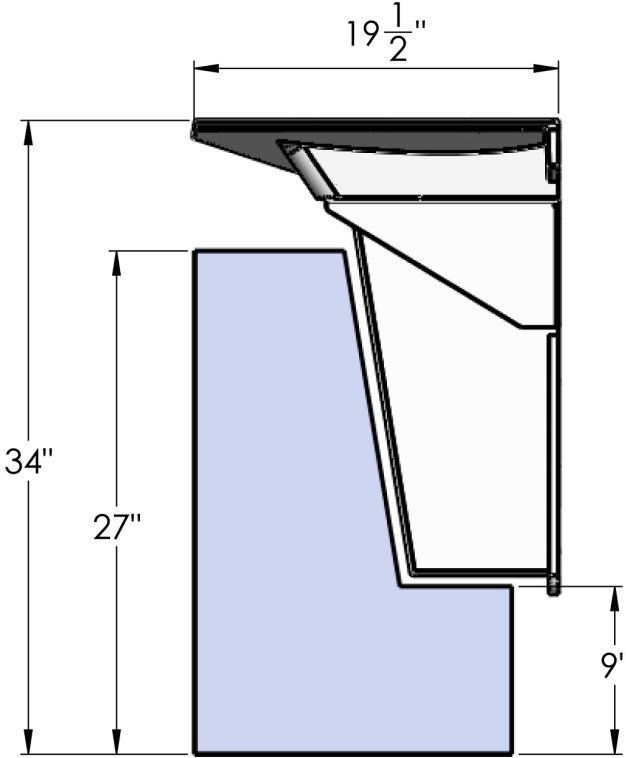


SLW01RX-L15R15

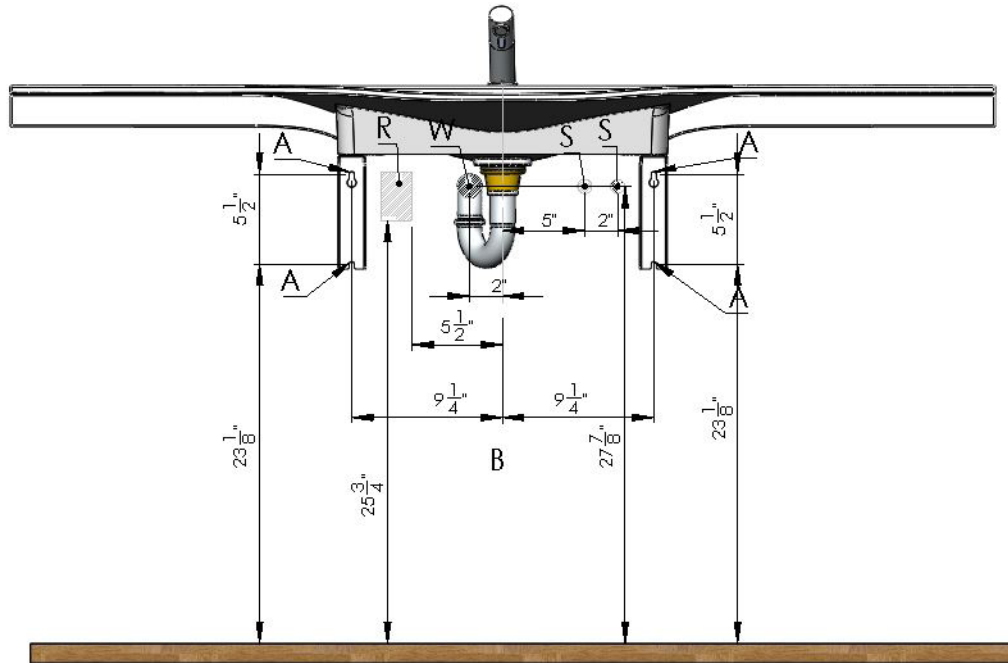
Front View



Side View Standard Height



Rough-In Dimensions



Code	Description
A	3/8" Anchors
R	110V GFCI Outlet
W	1-1/2" NPT Drain
S	1/2" Supply (hot and cold)

Notes:

1. Electrical receptacle must be wired to a GFCI protected circuit. Fixture must be earth grounded.
2. Consult local electrical code for need and use of extra electrical conduit box.

Height Adjustments

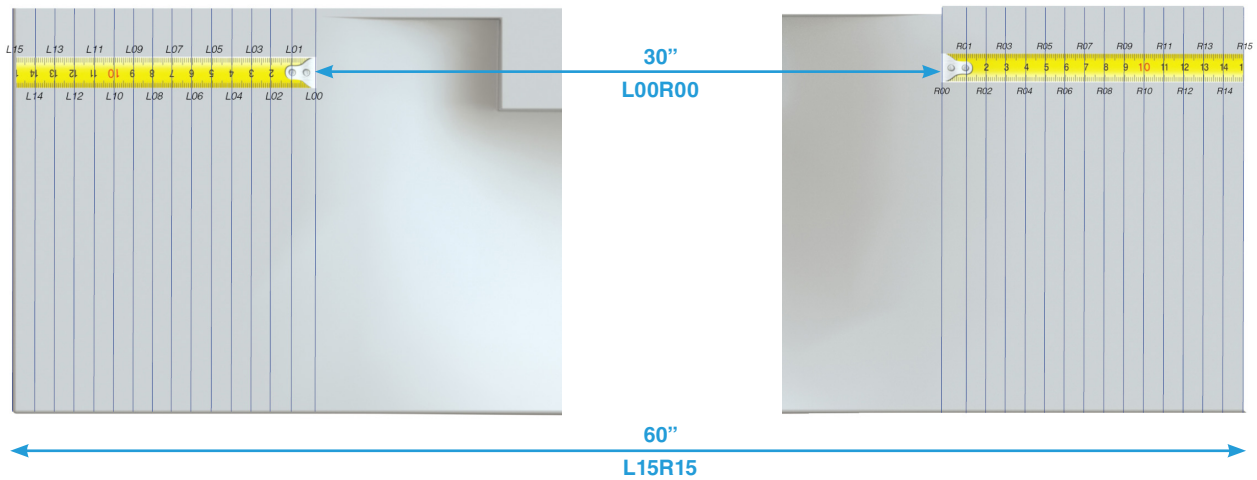
Standard	Rim Height	Adjustment of A, B & W
ADA & TAS Adult	34"	None
ADA Juvenile, Age 6-12	31"	Subtract 3" from height in drawing
TAS, Grades 6 through 8 or 9	32"	Subtract 2" from height in drawing
TAS, Grades Pre-K through Grades 5 or 6	30"	Subtract 4" from height in drawing

How to Choose Your Custom Length?

The standard length of the Streamlav Wing is 30". This is the L00R00-model.



The length of the Wing can be increased with 15" on each side. The length you wish to add to the left and right side of the lavatory will define the values for Lxx and Rxx.



001	Base Model Number (must specify)	
<input type="checkbox"/>	SLW01RX	Single User Streamlav Wing Lavatory System
002	Length of Lavatory (must specify)	
<input type="checkbox"/>	-L <input type="checkbox"/> <input type="checkbox"/>	Length to be added on Left Side
<input type="checkbox"/>	-R <input type="checkbox"/> <input type="checkbox"/>	Length to be added on Right Side
003	Skirt (must specify)	
<input type="checkbox"/>	-A	No Skirt
<input type="checkbox"/>	-B	Stainless Steel Skirt
004	Operation (must specify)	
<input type="checkbox"/>	-LRFS1	LRSF-1 Anti-Ligature Faucet
<input type="checkbox"/>	-LRFS2	LRSF-2 Anti-Ligature Faucet
<input type="checkbox"/>	-LRF380	Anti-ligature Pushbutton Faucet
<input type="checkbox"/>	-LRF390	Anti-ligature Sensor Faucet
<input type="checkbox"/>	-DEK	No Faucets
005	Supply (must specify with faucets)	
<input type="checkbox"/>	-TEM	Tempered or Cold Water
<input type="checkbox"/>	-TMV	Thermostatic Mixing Valve
006	Color (must specify)	
	<u>Standard Colors</u>	
<input type="checkbox"/>	-AB	Adobe Brown
<input type="checkbox"/>	-AW	Ash White
<input type="checkbox"/>	-CG	Country Green
<input type="checkbox"/>	-CO	Concrete grey
<input type="checkbox"/>	-DB	Designer Black
<input type="checkbox"/>	-ES	Egyptian Sand
<input type="checkbox"/>	-MB	Midnight Blue
<input type="checkbox"/>	-MG	Misty Grey
<input type="checkbox"/>	-PB	Pearl Black
<input type="checkbox"/>	-PW	Polar White
<input type="checkbox"/>	-SA	Sandstone
<input type="checkbox"/>	-TG	Twilight Grey
	<u>Designer Colors</u>	
<input type="checkbox"/>	-AC	Amalfi Coast
<input type="checkbox"/>	-BB	Belgian Blue
<input type="checkbox"/>	-BF	Black Forrest
<input type="checkbox"/>	-CA	Carrara Grey
<input type="checkbox"/>	-CC	Cebolla Creek
<input type="checkbox"/>	-CP	Caledonia Pearl
<input type="checkbox"/>	-PC	Portofina Crema
<input type="checkbox"/>	-PS	Paris Stone
<input type="checkbox"/>	-RS	San Cristobal Silver
<input type="checkbox"/>	-SR	Sydney Rock Oyster
<input type="checkbox"/>	-UB	Ubatuba Brown
<input type="checkbox"/>	-VM	Vienna Mist

Approved by:

Name: _____

Title: _____

Signature: _____

In the absence of a legal or industry definition of anti-ligature or ligature resistant products, when we use these terms, we are referring to products that are designed and manufactured with the intention of reducing the risk of ligature attachment to the product(s). The Intersan Group will always endeavour to design and test our anti-ligature product(s) to reduce the risk of product ligature attachment that may result in serious injury or death. Whilst all reasonable measures are taken at the time of design, the anti-ligature design of the products are not intended to and will not:

- a. Replace protective measures that need to be taken in the specific circumstances of usage;
- b. Substitute the need for supervision of those who may be at risk;
- c. Protect and or prevent those at risk against any self-harm instances that may occur when installed; and
- d. Protect and or prevent injury when the risks were unknown to us at the time of the design of the product(s).

The Intersan Group does not offer and does not represent or warrant that any product(s) for sale that are ligature-free. Therefore, The Intersan Group will not be liable for any claims, loss, or damages arising from ligature attachment on our products. It is the purchaser's responsibility to ensure that products purchased and installed are suitable for the environments in which they are installed, and suitable supervision and protective measures are in place to protect those at risk. Whilst all reasonable care has been taken in compiling the information in this document, the designs, dimensions and products shown are indicative only and should not be relied upon without our prior approval. Due to our policy of continuous development, we reserve the right to alter any details of specifications or products without notice. All information, drawings, technical specifications and product designs remains the property of The Intersan Group.

All information including dimensions, changes in design and material are subject to manufacturer's change without formal notice and without obligation. Intersan assumes no responsibility for use of superseded or voided information. Verify all rough-in information before installation. It is the responsibility of the installer to conform with local and national codes.

