








Saniwave Rx

LRSD

Behavioral Healthcare Lavatory

 <p>22 1/4" x 20 1/4" x 19"</p>	 <p>0.50 gpm Laminar</p>	 <p>IAPMO Z124-2011/CSA B45.5-11 IAPMO IGC156 ASME A112.18.2-2011/CSA B125.2-11</p>	 <p>Drain: 1 1/2" Supplies: 1/2" IPS Inlet Pressure: 20-100 psi</p>	 <p>Compliance: ADA TAS</p>
--	---	--	--	---

Material & Construction

The Saniwave LRSD lavatory is made from anti-microbial solid surface. The material is resistant to stains and burns. It cleans easily with Scotchbrite®, household cleaners or fine grit sandpaper. The fixture is available in [25 colors](#).

The bowl and skirt are molded in one piece and a stainless steel plate will enclose the fixture from the bottom. The nozzle holder is made from stainless steel.

Anti-microbial

The Saniwave LRSD bowl are manufactured with an anti-microbial agent. The agent is present both on the surface and on the inside of the material and will not dissipate or scratch off. In contact with moisture, anti-microbial ions will be released and effectively kill bacteria.

Standard Equipment

Fixture in anti-bacterial solid surface material, steel mounting brackets, stainless access panel, tail piece, and P-trap.

Activation & water distribution

The LRSD can be activated by infrared sensor (LRSD-SEN). The sensor and solenoid are powered by a 6V battery. It can also be operated by lighted piezo touch buttons (LRSD-PL1 or LRSD-PL2) or by a standard piezo touch button (LRSD-PS1 or LRSD-PS2).

The lighted piezo buttons are powered by a 9V plug-in transformer. The standard piezo touch buttons can be powered by either a 9V battery or a plug-in transformer.

LEED Compliance

When supplied with AquaDesign's faucets, The Saniwave contributes to meeting LEED requirements in the following categories:

- WEp1 - Water Efficiency
- WEc3 - Water Use Reduction

The nozzles have a flow rate of 0.5 gpm.



Application



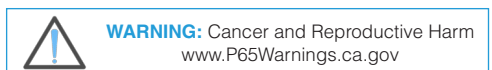
The Saniwave LRSD is not to be used to dispense water for human consumption either by drinking or use in the preparation of food or beverages.

Warranty

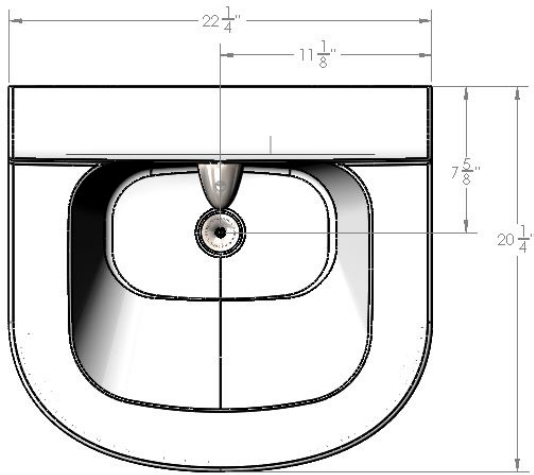
5 years limited warranty on material, 3 years limited warranty on components from spray heads, 1 year limited warranty on AquaDesign faucets.

SAMPLE SPECIFICATION

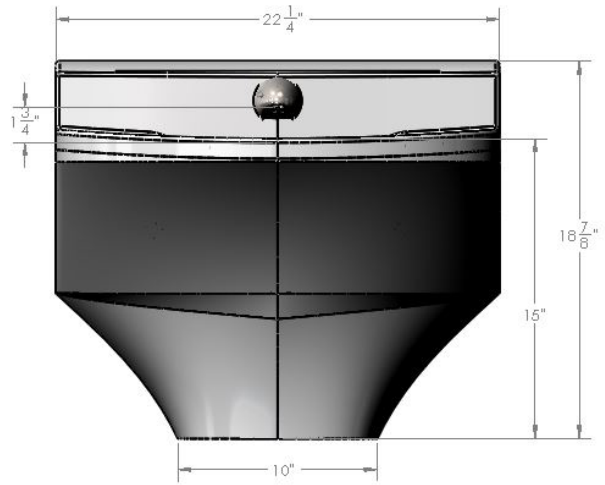
Fixture shall be AquaDesign Saniwave LRSD single user hand wash station. Bowl and integral skirt are made from anti-microbial solid surface. The unit is activated by (lighted) piezo touch button/sensor. The unit has a ligature resistant strainer.



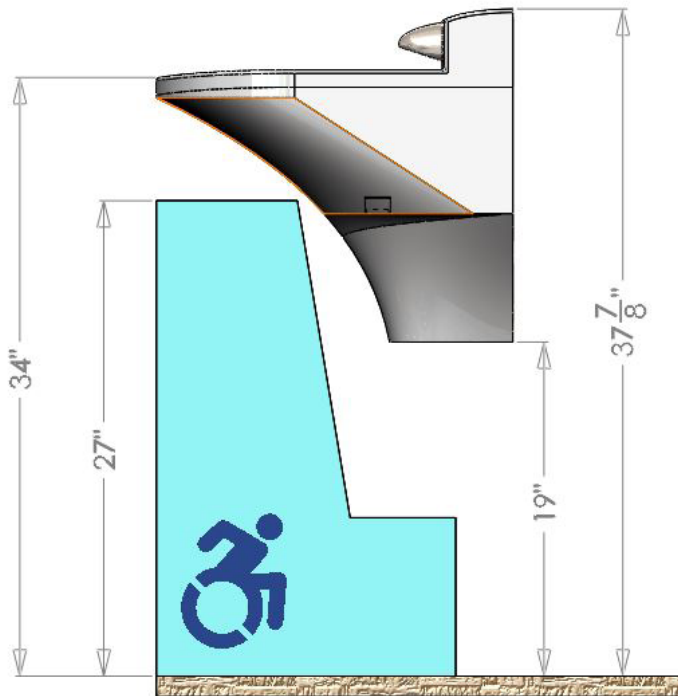
Top View



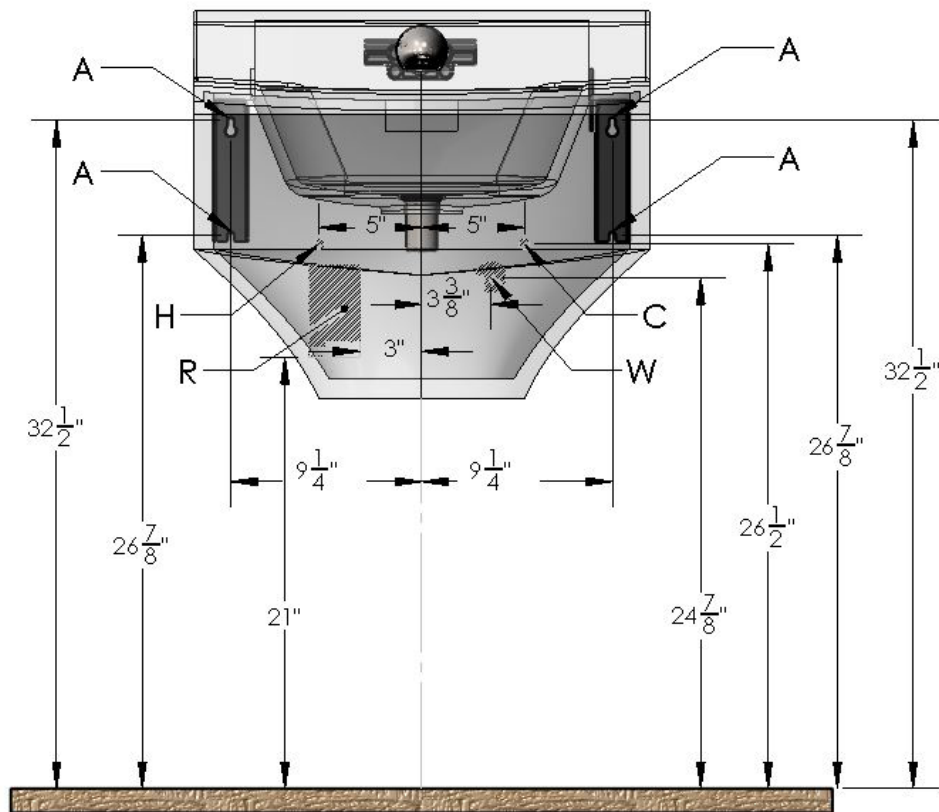
Front View



Side View Standard Height



Rough-In Dimensions



Notes:

1. Electrical receptacle must be wired to a GFCI protected circuit. Fixture must be earth grounded.
2. Consult local electrical code for need and use of extra electrical conduit box.

Code	Description
A	1/4" Anchors for counter top with a pull out strength of min. 1000 lbs.
W	1 1/2" NPT Drain, stub out 2"
H/C	1/2" copper tubing for hot & cold supplies, stub out 2" from wall
R	110V GFCI Receptacle

Height Adjustments

Standard	Rim Height	Adjustment of A, B& W
ADA & TAS Adult	34"	None
ADA Juvenile, Age 6-12	Doesn't comply	
TAS, Grades 6 through 8 or 9	Doesn't comply	
TAS, Grades Pre-K through Grades 5 or 6	Doesn't comply	

001 Base Model Number (must specify)		
<input type="checkbox"/>	LRSD	Saniwave Rx Behavioral Healthcare Lavatory
002 Operation (must specify)		
<input type="checkbox"/>	-SEN	Sensor Operated Spray head
<input type="checkbox"/>	-PS1	One piezo activation for cold or tempered water
<input type="checkbox"/>	-PL1	One lighted piezo button for cold or tempered water (hardwire only)
<input type="checkbox"/>	-PS2	One piezo activation for cold and one for warm water
<input type="checkbox"/>	-PL2	One lighted piezo activation for cold and one lighted for warm water (hardwire only)
003 Supply (must specify)		
<input type="checkbox"/>	-TEM	Tempered or Cold Water
<input type="checkbox"/>	-TMV	Thermostatic Mixing Valve
004 Color (must specify)		
<u>Standard Colors</u>		
<input type="checkbox"/>	-AB	Adobe Brown
<input type="checkbox"/>	-AW	Ash White
<input type="checkbox"/>	-CG	Country Green
<input type="checkbox"/>	-CO	Concrete Grey
<input type="checkbox"/>	-DB	Designer Black
<input type="checkbox"/>	-ES	Egyptian Sand
<input type="checkbox"/>	-MB	Midnight Blue
<input type="checkbox"/>	-MG	Misty Grey
<input type="checkbox"/>	-PB	Pearl Black
<input type="checkbox"/>	-PW	Polar White
<input type="checkbox"/>	-SA	Sandstone
<input type="checkbox"/>	-TG	Twilight Grey
<u>Designer Colors</u>		
<input type="checkbox"/>	-AC	Amalfi Coast
<input type="checkbox"/>	-BB	Belgian Blue
<input type="checkbox"/>	-BF	Black Forrest
<input type="checkbox"/>	-CA	Carrara Grey
<input type="checkbox"/>	-CC	Cebolla Creek
<input type="checkbox"/>	-CP	Caledonia Pearl
<input type="checkbox"/>	-PC	Portofina Crema
<input type="checkbox"/>	-PS	Paris Stone
<input type="checkbox"/>	-RS	San Cristobal Silver
<input type="checkbox"/>	-SR	Sydney Rock Oyster
<input type="checkbox"/>	-UB	Ubatuba Brown
<input type="checkbox"/>	-VM	Vienna Mist
005 Other Options		
<input type="checkbox"/>	-HW	Plug-in Transformer
<input type="checkbox"/>	-LAM10	1.0 gpm laminar nozzle
<input type="checkbox"/>	-LAM15	1.5 gpm laminar nozzle
<input type="checkbox"/>	-LAM20	2.0 gpm laminar nozzle

In the absence of a legal or industry definition of anti-ligature or ligature resistant products, when we use these terms, we are referring to products that are designed and manufactured with the intention of reducing the risk of ligature attachment to the product(s). PSD LLC will always endeavour to design and test our anti-ligature product(s) to reduce the risk of product ligature attachment that may result in serious injury or death. Whilst all reasonable measures are taken at the time of design, the anti-ligature design of the products are not intended to and will not:

- a. Replace protective measures that need to be taken in the specific circumstances of usage;
- b. Substitute the need for supervision of those who may be at risk;
- c. Protect and or prevent those at risk against any self-harm instances that may occur when installed; and
- d. Protect and or prevent injury when the risks were unknown to us at the time of the design of the product(s).

PSD LLC does not offer and does not represent or warrant that any product(s) for sale that are ligature-free. Therefore, PSD LLC will not be liable for any claims, loss, or damages arising from ligature attachment on our products. It is the purchaser's responsibility to ensure that products purchased and installed are suitable for the environments in which they are installed, and suitable supervision and protective measures are in place to protect those at risk. Whilst all reasonable care has been taken in compiling the information in this document, the designs, dimensions and products shown are indicative only and should not be relied upon without our prior approval. Due to our policy of continuous development, we reserve the right to alter any details of specifications or products without notice. All information, drawings, technical specifications and product designs remains the property of PSD LLC.

All information including dimensions, changes in design and material are subject to manufacturer's change without formal notice and without obligation. AquaDesign assumes no responsibility for use of superseded or voided information. Verify all rough-in information before installation. It is the responsibility of the installer to conform with local and national codes.