

ISO3/ISO4/ISO5 - Sanispray® Washfountain

TECHNICAL INFORMATION

The 39" or 54" semi-circular stainless steel bowl can serve 3, 4 or 5 users at a time. The bowl is made of 16 gauge type 304 stainless steel and has a parabolic shape for added strength. The parabolic shape keeps the water spray inside the bowl and makes the bowl self-cleaning and self-draining.

The bowl is also available in anti-microbial solid surface. Solid surface is a composite material of acrylic polyester polymer resins and aluminum trihydrate fillers.



The pedestal is constructed of cold laminated 12 gauge steel, treated against corrosion by zinc phosphate and powder coating. The scuff base is made of stainless steel. The pedestal has a vandal resistant steel access panel at the front of the pedestal. Three rubber joints are fitted between floor, scuff base, pedestal and bowl. Anchoring bolts made of zinc coated steel are provided.

The 11 gauge stainless steel riser column serves the purpose of both housing for the supply pipes and the vent pipe, and a support for the water distribution head. The pre-installed vent pipe is also the central tie part for the rigid assembly of the washfountain, making wall braces unnecessary. The dome grated column base provides a central 360° drain and has an internal easy to clean grid.

Spray nozzles are vandal resistant and have built-in automatic flow control limiting the water flow to 0.5 gpm. (Optional: 0.35 gpm nozzles).

The internal plumbing system includes a braided stainless steel supply line to the water distribution head and a thermostatic mixing valve (if chosen) with, 2 integral check valves and 2 strainers. The mixing valve is preset at 104° F (±4°F). The thermostat requires the hot water to be between 130° F and 167°F with a pressure of min. 17 psi at the inlet. The thermostatic mixing valve shuts off when hot or cold water fails.

The detection system: The active detection system's sensors notify the microprocessor of the presence of human hands intersecting the detection area. The detection field adjusts itself to the contours of the fixture. Optical lenses delineate the expanse of the detection field in terms of width, length and height.

Water cycle: Each of the 3, 4 or 5 stations are stand alone with their own microprocessor, battery and sensor controlling each solenoid valve. The water flows for minimum 8 and maximum 30 seconds. The solenoid valve will close, and the water flow will stop if the user finishes washing prior to the end of the 30 second cycle.

The fixture is powered by standard 6-Volt lithium batteries. The batteries will last for 144,000 to 200,000 water cycles. A warning alarm signals when the battery is near depletion. As an option, the fixture can be supplied with a class II transformer and plug (*option suffix: -HW*). In standby mode a demand of 10 mA is made upon the power supply.

For soap supply the unit can be supplied with a hands-free soap option. This option provides soap with each activation of the water cycle. A preset amount of 1.2 ml will precede the normal water flow. Soap bags are put in a plastic soap tank liner which can be accessed through the top of the fixture. As an alternate the fixture can be supplied with a stainless steel mounting bracket for soap dispensers supplied by others (*suffix: -B*)



The solenoid valves are bi-stable, 2 coil valves.

Operating range is 17 to 100 psi of flowing pressure, measured at the inlet of the control valve when the unit is spraying.

Fixture unit value is three as determined by the National Plumbing Code.

Supply is 1/2" or 2 x 1/2".

Drain size is 2".

Vent size is 1 1/2". The fixture is supplied with a vent pipe which extends 42 3/4" above the floor. To connect the vent pipe to a vent from the ceiling, use a 1 1/2" no-hub coupling.

LEED Compliance

The Sanispray contributes to meeting LEED requirements in the following categories: WEp1 - Water Efficiency

WEc3 - Water Use Reduction

Each nozzle has a flow rate of 0.5 gpm. The water cycle lasts 10 seconds which means that 0.083 gallons of water is used per cycle. 0.35 gpm nozzles are available.

The electronic soap dispenser option works on the existing water pressure and doesn't require any outside power.

Accessibility



The 54" standard floor mounted and wall-hung models comply with ADA, TAS, CAL and UFAS requirements for reach clearance and operation.

Warranty: 5 years limited warranty on materials and 3 years limited warranty on components.

SAMPLE SPECIFICATION

Fixture shall be a 3-user (39" semi-circular), 4-user (39" or 54" semi-circular) or 5-user (54" semi-circular) Intersan Sanispray® washfountain with individual infrared activation (*specify model and optional equipment*). The 16 gauge type 304 stainless steel bowl shall have a parabolic shape and shall be self-cleaning and self-draining by means of a central drain. The pedestal with vandal resistant steel access panel shall be made of powder coated steel. The following features shall be included: 3, 4 or 5 stations with 3, 4 or 5, 6-volt batteries, sensors and micro-processors to control each of the solenoid valves. Strainers, check valves, thermostatic mixing valve, vent pipe, integrated stainless steel liquid soap dispenser. The unit shall have a warranty of 3 years on non-wear components and 5 years on materials.



WARNING: Cancer and Reproductive Harm
www.P65Warnings.ca.gov

Base Model Number (must specify):

- ISO339 3-user Sanispray® - sensor controlled – 39"
- ISO439 4-user Sanispray® - sensor controlled – 39"
- ISO454 4-user Sanispray® - sensor controlled – 54" 
- ISO554 5-user Sanispray® - sensor controlled – 54" 



Supply (must specify):

- 1 Tempered or cold water
- 2 Thermostatic mixing valve (hot & cold water)

Soap Option (must specify):

- N No soap dispenser
- L Liquid soap dispenser
- B Soap bracket for soap dispenser by others

Pedestal Options (must specify):

- BP Black powder coated pedestal
- SP Stainless steel pedestal
- JH Powder coated junior height pedestal (rim ±26")
- JS Stainless steel junior height pedestal (rim ±26")
- EH Powder coated extra high pedestal (rim ±39")
- ES Stainless steel extra high pedestal (rim ±39")
- WH Wall-hung pedestal 
- WF Wall-hung pedestal with skirt to floor 

Bowl (must specify):

- SB Stainless Steel Bowl
- AW Ash White - Solid Surface Bowl
- DS Desert Sand - Solid Surface Bowl
- MB Midnight Blue - Solid Surface Bowl
- MG Misty Grey - Solid Surface Bowl
- TG Twilight Grey - Solid Surface Bowl

Electronic Options:

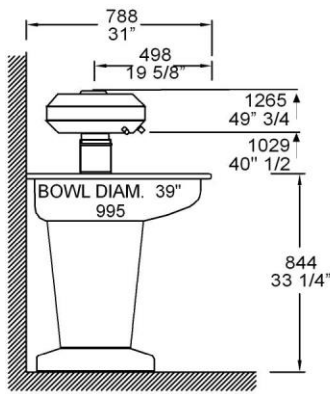
- HW Class II transformer with plug

Quick Connect Options:

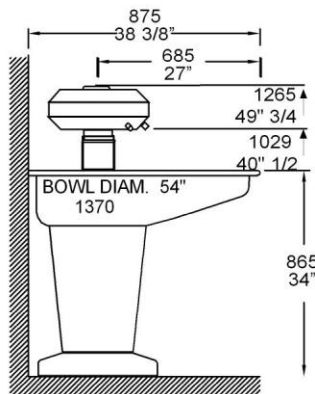
- 22FLEXDR Flexible drain connector
- (1)P3020 Stainless steel flexible supply (no mixing valve)
- (2)P3020 Stainless steel flexible supplies (with mixing valve)

Other Options:

- S Stainless steel shroud (39 3/8")
- TDH Towel dispenser (2 pieces)
- BSH4 Wall mounted backsplash for 39" bowl
- BSH5 Wall mounted backsplash for 54" bowl
- HBL Hose bib left side
- HBR Hose bib right side
- 0.35 0.35 gpm nozzles

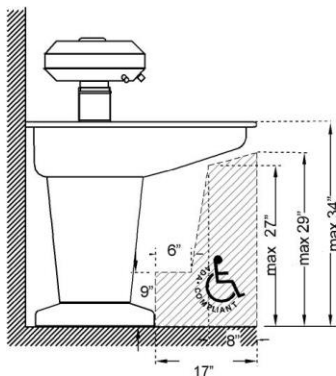
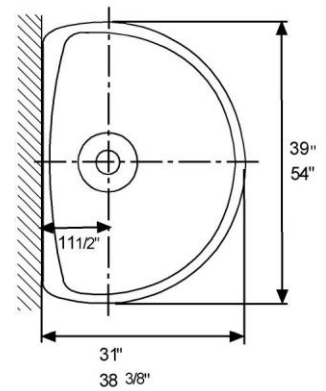


ISO339/ISO439

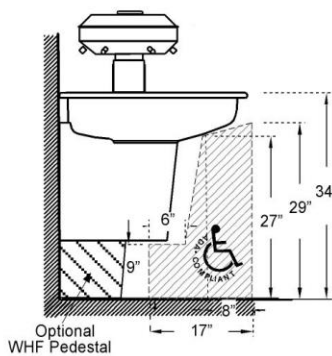


ISO454

SIZE	USERS
39"	4
54"	5



54" bowl, standard pedestal



Wall-hung pedestal

Approved by Engineer/Architect

Job Name _____

Date _____

Model _____

Quantity _____

Title _____

Signature _____