

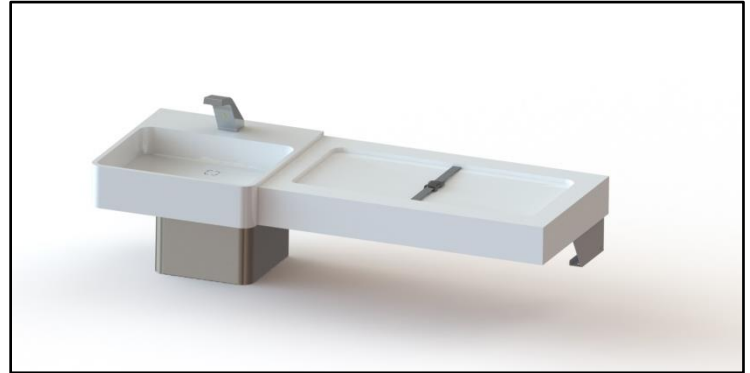
MVBC - option

Modus Vivendi- Baby Changing Station



- Made from anti-bacterial Solidguard
- ADA-compliant & TAS Compliant

MVBC – option TECHNICAL INFORMATION



Material & Construction

The Modus-Vivendi baby changing table is made from anti-microbial Solidguard. Solidguard is a composite material of acrylic polyester polymer resins and aluminum trihydrate fillers. The material is resistant to stains and burns and complies with ANSI Z124.3. Solidguard cleans easily with Scotchbrite®, household cleaners or fine grit sandpaper. Solidguard® is available in 16 colors.

The Modus-Vivendi baby changing table includes heavy gauge steel support brackets.

Anti-microbial

The Solidguard baby changing station is manufactured with an anti-microbial agent. The agent is present both on the surface and on the inside of the material and will not dissipate or scratch off. In contact with moisture, anti-microbial ions will be released and effectively kill bacteria.



Standard Equipment:

Baby changing table in anti-bacterial solid surface material, steel mounting bracket, safety strap, and warning sticker.

Optional Equipment:

- The baby changer can be supplied with a baby-safe drain (-BSD) to help clean or hose down the station.
- The baby changer can also be supplied with a hose with wash down spray head (-HWD) to clean the baby changer. The hose is pre-plumbed to the handwash station.

Configurations

The baby changing table option can be attached to any Modus Vivendi lavatory system. The baby changing table can be attached on both the left or right side of the lavatory

Accessibility



Standard Height: The Modus-Vivendi baby changing table is designed to meet all ADA and TAS guidelines when the Modus Vivendi lavatory is mounted at the standard rim height of 34".

Warranty: 5 years limited warranty on material and 3 years limited warranty on components.

SAMPLE SPECIFICATION

Fixture shall include an integral baby changing table with safety strap. The baby changing table shall be 42" by 22". The baby changing table shall be made of anti-microbial solid surface



WARNING: Cancer and Reproductive Harm
www.P65Warnings.ca.gov

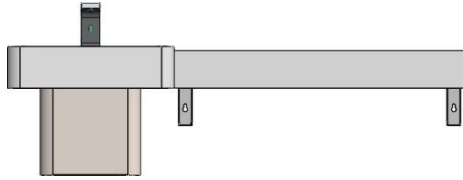
MVBC - option

Modus Vivendi- Baby Changing Station

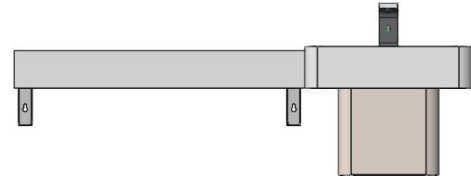


Configurations

Vivendi 20

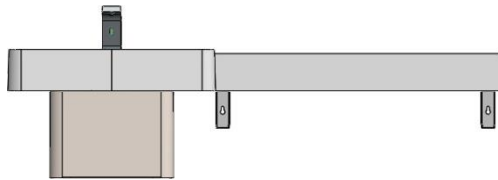


VIV20-SR-MVBCR

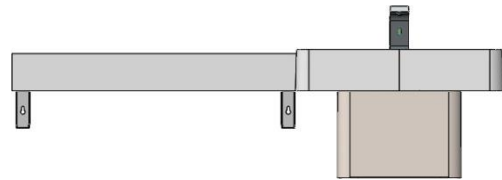


VIV20-SL-MVBCL

Modus 25

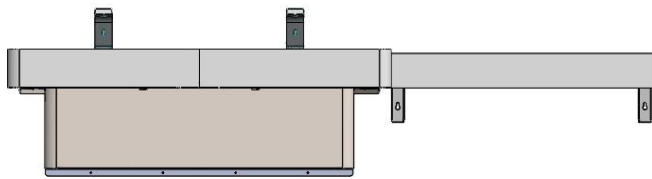


MOD25-SR-MVBCR

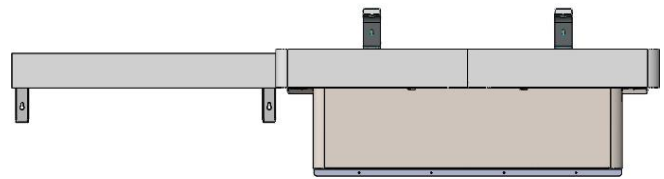


MOD25-SL-MVBCL

Vivendi 50

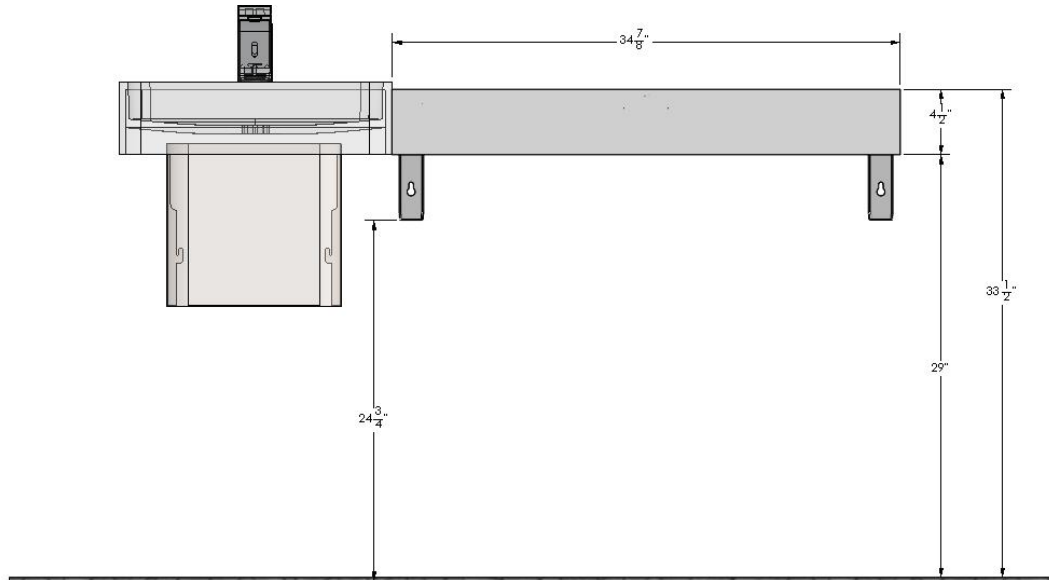


VIV50-SR-MVBCR

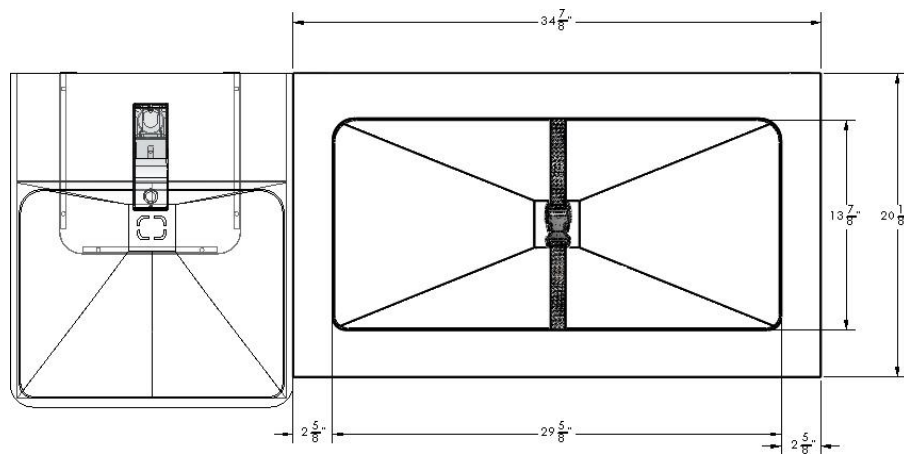


VIV50-SL-MVBCL

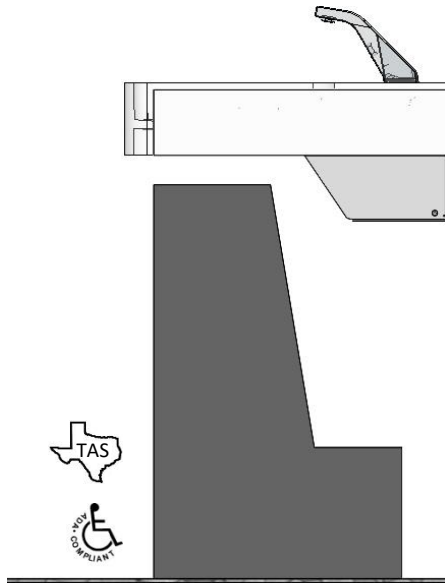
Front View



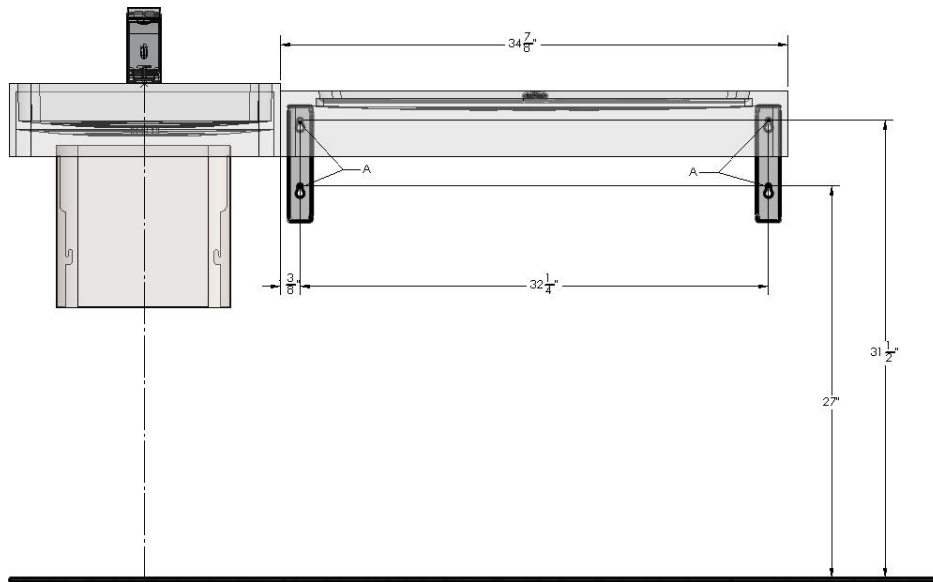
Top View



Side View (handwash station at 34" rim height)



Rough-in Dimensions



Code	Description
A	1/4" Anchors for baby changer with a pull out strength of min. 1000 lbs.

Remark: For baby changer with baby-safe drain-option or wash down option use plumbing rough-in of accompanying lavatory.

WARNING: Be sure to use anchors with a pull out strength of 1000 lbs. Additional reinforced backing behind the wall might be required to properly mount the baby changing station and lavatory system.

WARNING: Every Modus-Vivendi with the baby changing station option is supplied with a warning sticker. It is very important that the sticker is placed right above the baby changing station. Failing to do so might result in serious injury.

! WARNING

! WARNING Never leave child unattended.

! WARNING Avoid serious injury from falling or sliding out. Always use restraint.

! WARNING Designed for infants only. Age up to 3.5 years and weighing less than 50 lb. Keep one hand on the child at all times.

Intersan Manufacturing Company - www.intersanUS.com

Base Model Number (must specify)	
<input type="checkbox"/> MVBCL	Modus Vivendi baby changer to be Installed on left side of lavatory 🚻
<input type="checkbox"/> MVBCR	Modus Vivendi baby changer to be Installed on right side of lavatory 🚻
Options:	
<input type="checkbox"/> -BSD	Baby-safe drain
<input type="checkbox"/> -HWD	Hose and sprayhead
Colors (must specify):	
Premier Luxe Collection:	
<input type="checkbox"/> -AC	Amalfi Coast
<input type="checkbox"/> -BB	Belgian Blue
<input type="checkbox"/> -BG	Bristol Grey
<input type="checkbox"/> -CA	Carrara Grey
<input type="checkbox"/> -CP	Caledonia Pearl
<input type="checkbox"/> -GB	Galway Bay
<input type="checkbox"/> -PC	Portofino Crema
<input type="checkbox"/> -SF	Santa Fe Silt
<input type="checkbox"/> -SR	Sydney Rock Oyster
<input type="checkbox"/> -TP	Tahitian Pearl
<input type="checkbox"/> -UB	Ubatuba Brown
<input type="checkbox"/> -VM	Vienna Mist
Premium Designer Series:	
<input type="checkbox"/> -BS	Barcelona Sand
<input type="checkbox"/> -CE	Cebolla Creek
<input type="checkbox"/> -CR	Calico Rock
<input type="checkbox"/> -IC	Ivory Coast
<input type="checkbox"/> -KB	Krakatoa Black
<input type="checkbox"/> -MQ	Montreal Quartz
<input type="checkbox"/> -PE	Persian Walnut
<input type="checkbox"/> -PS	Paris Stone
<input type="checkbox"/> -RS	Red Sea Coral
Heritage Value Selections:	
<input type="checkbox"/> -AW	Ash White
<input type="checkbox"/> -CG	Country Green
<input type="checkbox"/> -CO	Concrete Grey
<input type="checkbox"/> -DB	Designer Black
<input type="checkbox"/> -DS	Desert Sand
<input type="checkbox"/> -LB	Lotus Blossom Green
<input type="checkbox"/> -MG	Misty Grey
<input type="checkbox"/> -PW	Polar White
<input type="checkbox"/> -TB	Tranquil Blue
<input type="checkbox"/> -TG	Twilight Grey