

- Made from anti-bacterial Solidsan®;
- ADA-compliant & TAS Compliant;
- Can contribute to LEED requirements
- 5 year warranty on material, 3 year warranty on components.

## SL01-A–Single user Streamlav TECHNICAL INFORMATION

### Material & Construction

The countertop is made from anti-microbial Solidsan®. Solidsan® is a composite material of acrylic polyester polymer resins and aluminum trihydrate fillers. The material is resistant to stains and burns and complies with ANSI Z124.3. Solidsan® cleans easily with Scotchbrite®, household cleaners or fine grit sandpaper. Solidsan® is available in 16 colors.

The Streamlav includes a heavy 18 gauge steel support brackets.

The Streamlav is supplied with a 1 1/2" chromed brass grid.

### Anti-microbial

The Solidsan® bowl and sides are manufactured with an anti-microbial agent. The agent is present both on the surface and on the inside of the material and will not dissipate or scratch off. In contact with moisture, anti-microbial ions will be released and effectively kill bacteria.



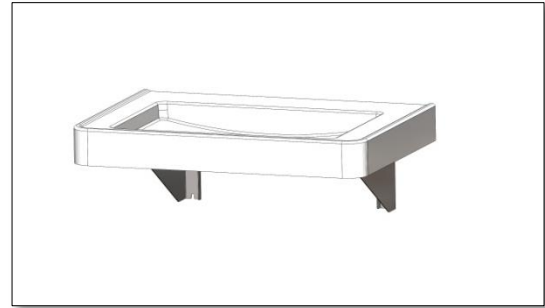
### Activation & Water Distribution

The Streamlav is available with different faucet options.

**Standard Equipment:** One-piece bowl in anti-bacterial solid surface material, solid surface side covers, stainless steel mounting frame and skirts and tail piece. When supplied with Intersan's faucets the unit is also comes standard with a single supply manifold and batteries for the faucets.

### Optional Equipment:

The Streamlav can be supplied with any of Intersan's faucets or can be drilled for faucets by others.



### LEED Compliance

When supplied with Intersan's faucets, The Streamlav contributes to meeting LEED requirements in the following categories:



WEp1 - Water Efficiency

WEC3 - Water Use Reduction

Each nozzle has a flow rate of 0.35 gpm. The water cycle for the pushbutton operated units lasts 10 seconds which means that only 0.058 gallons of water is used per cycle.

### Accessibility



**Standard Height:** The Streamlav is designed to meet all ADA and TAS guidelines when mounted at the standard rim height of 34".

**Juvenile Height:** The Streamlav complies with ADA and TAS guidelines for the various juvenile categories when mounted at the proper rim height.

Installer needs to provide anti-scald protection for the p-trap.

**Drain size** is 1½"

**Warranty:** 5 years limited warranty on material and 3 years limited warranty on components.

### SAMPLE SPECIFICATION

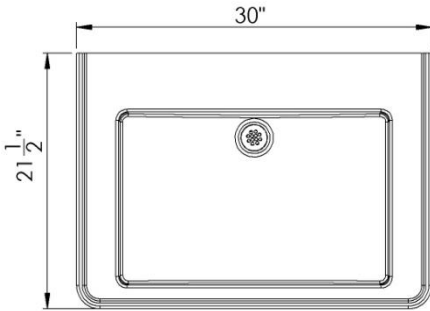
Fixture shall be Intersan Streamlav single user handwash station. Countertop and side panels are made from anti-microbial solid surface.

The unit is furnished with a *Line6/Line7/Line8 faucet*.

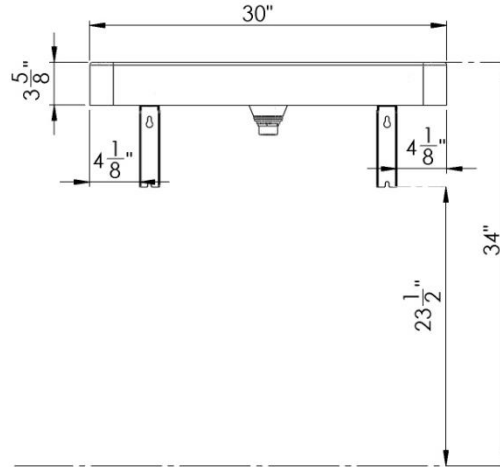


WARNING: Cancer and Reproductive Harm  
[www.P65Warnings.ca.gov](http://www.P65Warnings.ca.gov)

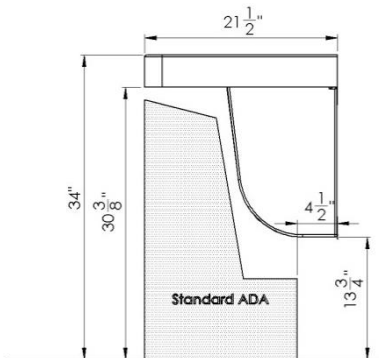
Top View



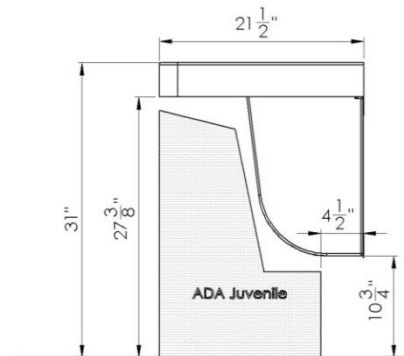
Front View



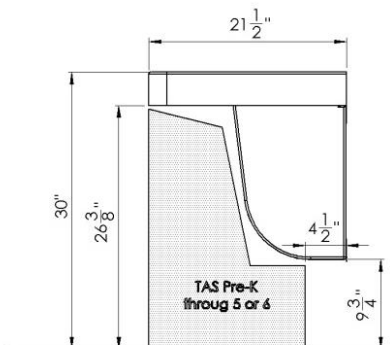
Side View Standard Height



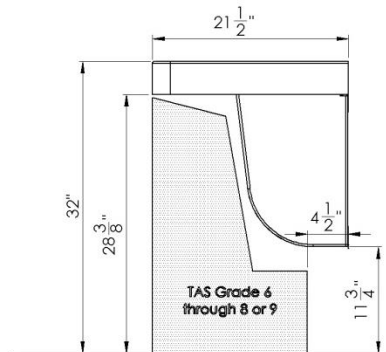
Side View Juvenile Height Ages 6-12



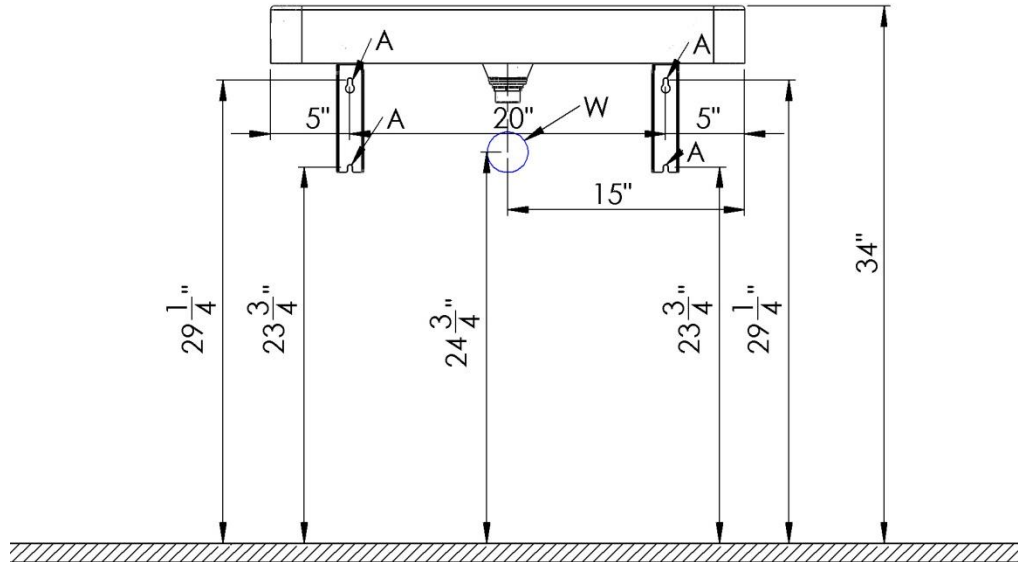
Side View TAS Height Grades Pre-K Through 5 or 6



Side View TAS Height Grades 6 through 8 or 9




**Rough-in Dimensions**



Code	Description
A	3/8" Anchors
W	1 1/2" NPT Drain

**Height Adjustments**

Standard	Rim Height	Adjustment of height for A & W
ADA & TAS Adult	34"	None
ADA Juvenile, Ages 6 - 12	31"	Subtract 3" from height in drawing
TAS, Grades 6 through 8 or 9	32"	Subtract 2" from height in drawing
TAS, Pre-K through Grades 5 or 6	30"	Subtract 4" from height in drawing

<p><b><u>Base Model Number (must specify)</u></b></p> <p><input type="checkbox"/> <b>SL01-A</b>                      Single user Streamlav – No skirt </p>
<p><b><u>Operation (must specify):</u></b></p> <p><input type="checkbox"/> -L06                      Line 6 faucet</p> <p><input type="checkbox"/> -L07                      Line 7 faucet</p> <p><input type="checkbox"/> -L08                      Line 8 faucet</p> <p><input type="checkbox"/> -DEK                      No Faucets</p>
<p><b><u>Supply (must specify):</u></b></p> <p><input type="checkbox"/> -TEM                      Tempered or cold water</p> <p><input type="checkbox"/> -TMV                      Thermostatic mixing valve (hot &amp; cold water)</p> <p><input type="checkbox"/> -STE                      240V instantaneous water heater</p>
<p><b><u>Colors (must specify):</u></b></p> <p><b>Standard Colors:</b></p> <p><input type="checkbox"/> -AB                      Adobe brown</p> <p><input type="checkbox"/> -AW                      Ash white</p> <p><input type="checkbox"/> -CG                      Country Green</p> <p><input type="checkbox"/> -DS                      Desert sand</p> <p><input type="checkbox"/> -MB                      Midnight blue</p> <p><input type="checkbox"/> -MG                      Misty grey</p> <p><input type="checkbox"/> -PB                      Pearl black</p> <p><input type="checkbox"/> -TG                      Twilight grey</p> <p><b>Designer Colors:</b></p> <p><input type="checkbox"/> -AL                      Almondine</p> <p><input type="checkbox"/> -BW                      Birch Wood</p> <p><input type="checkbox"/> -CB                      Canyon Brown</p> <p><input type="checkbox"/> -CC                      Chocolate Chip</p> <p><input type="checkbox"/> -DE                      Desert Snow</p> <p><input type="checkbox"/> -GW                      Glacier White</p> <p><input type="checkbox"/> -LB                      Lotus Blossom Green</p> <p><input type="checkbox"/> -GW                      Glacier White</p> <p><input type="checkbox"/> -NB                      Neptune Blue</p> <p><input type="checkbox"/> -OW                      Oyster White</p> <p><input type="checkbox"/> -RR                      River Rock</p> <p><input type="checkbox"/> -TB                      Tranquil Blue</p> <p><b>Solid Colors:</b></p> <p><input type="checkbox"/> -BI                      Biscuit</p> <p><input type="checkbox"/> -CO                      Country Grey</p> <p><input type="checkbox"/> -DB                      Designer Black</p> <p><input type="checkbox"/> -PW                      Polar White</p>
<p><b><u>Stand Alone soap dispensers</u></b></p> <p><input type="checkbox"/> -SD6                      Line 6 soap dispenser</p> <p><input type="checkbox"/> -SD7                      Line 7 soap dispenser</p>
<p><b><u>Other Options (for units with Intersan faucets only):</u></b></p> <p><input type="checkbox"/> -HW                      Low voltage class II transformer with plug (1 per faucet)*</p>