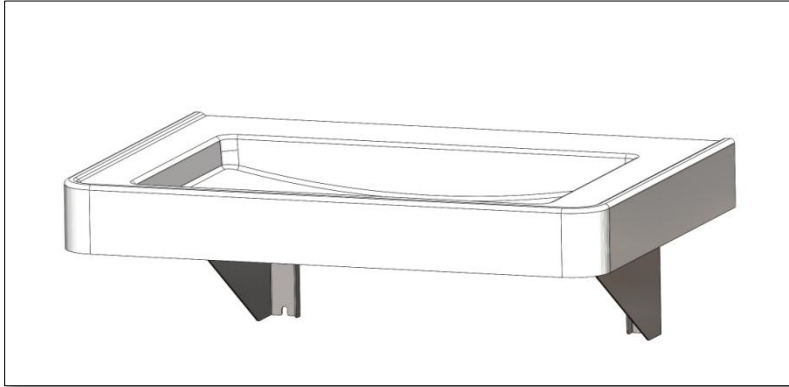


Installation



Installation Instructions for models:

SL1A

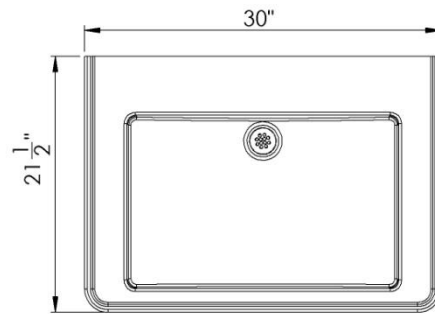
IMPORTANT

- Read instructions entirely prior to installation.
- Prior to hooking up the fixture to the water supply make sure that all the lines are flushed thoroughly.
- All wall anchors should have a pull out strength of 1000 lbs or more.
- Units should always be installed according to local plumbing codes.

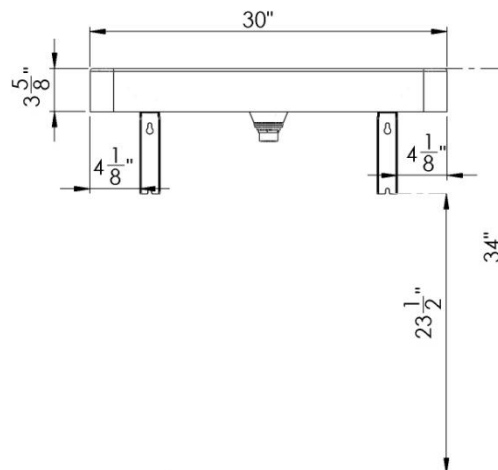
Installation

Dimensions

Top View

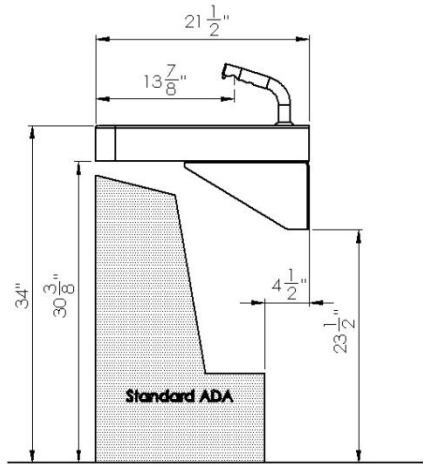


Front View

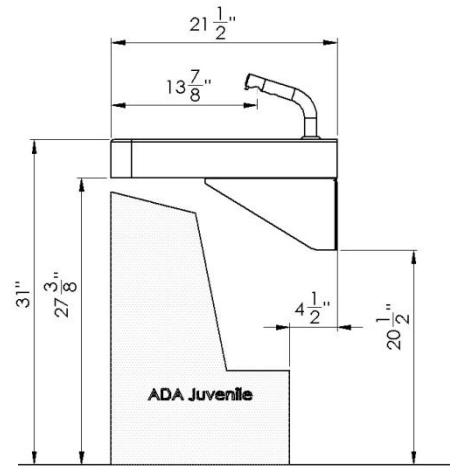


Installation

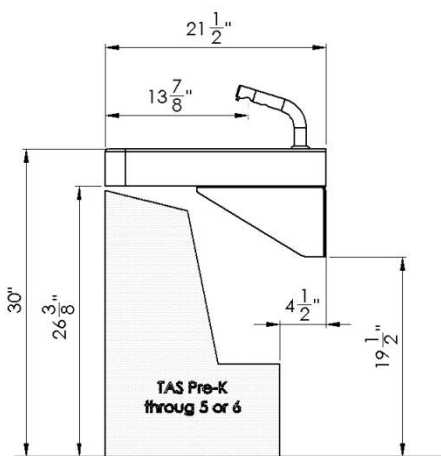
Mounting Heights



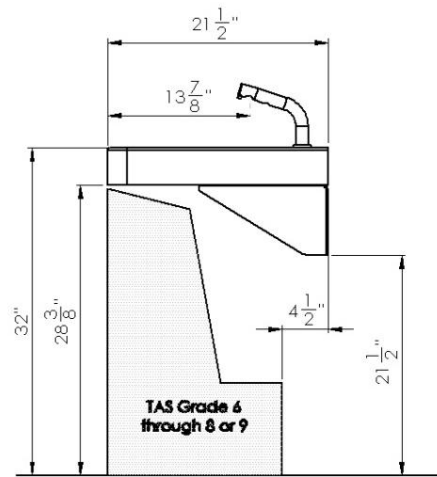
Standard Height*



**Juvenile Height,
Ages 6-12***



**TAS Height,
Grades Pre-K through 5 or 6***



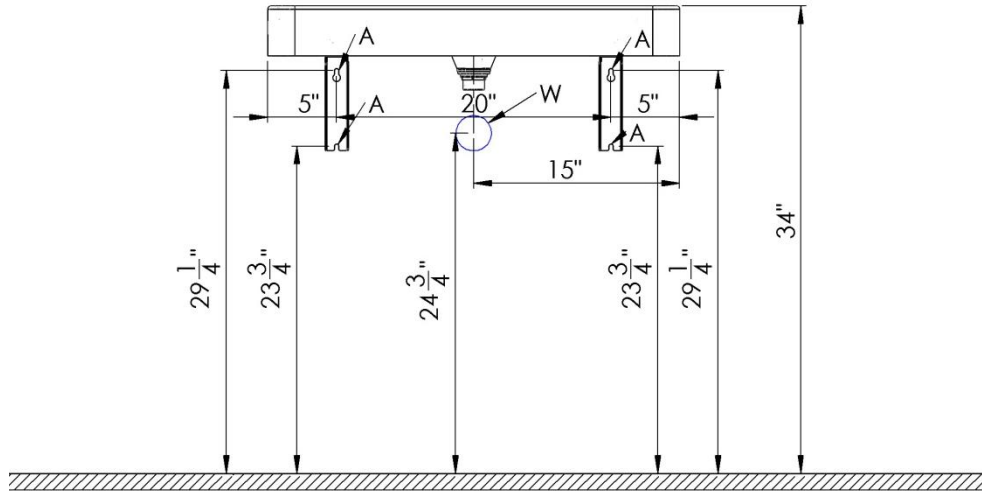
**TAS Height,
Grades 6 through 8 or 9***

Standard Santronic® faucet. Dimensions for reach might differ if other faucet is used.

All information including dimensions, changes in design and material are subject to manufacturer's change without formal notice and without obligation. Intersan assumes no responsibility for use of superseded or voided information. Verify all rough-in information before installation. It is the responsibility of the installer to conform with local and national codes.

Installation

Rough-in Dimensions



Code	Description
A	3/8" Anchors
W	1 1/2" NPT Drain

Height Adjustments

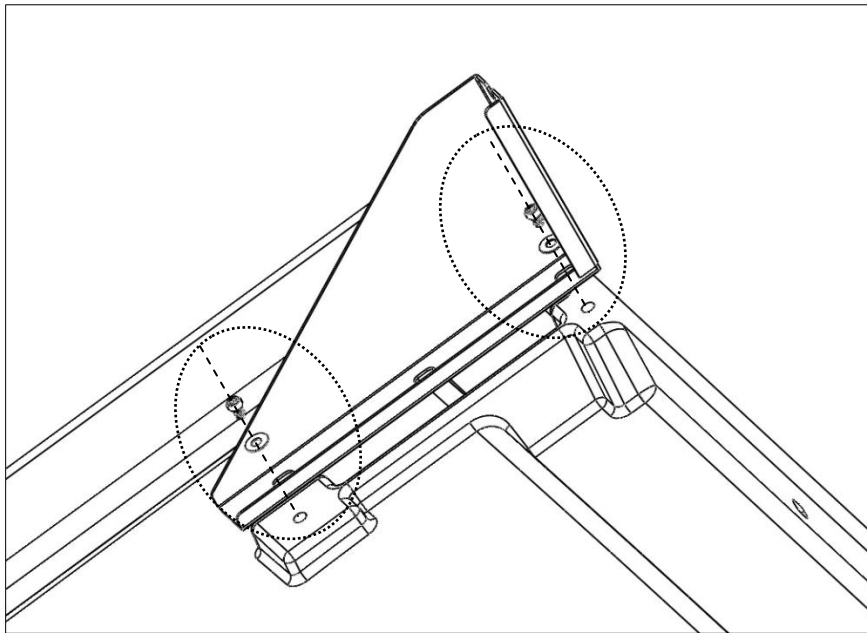
Standard	Rim Height	Adjustment of height for A & W
ADA & TAS Adult	34"	None
ADA Juvenile, Ages 6 - 12	31"	Subtract 3" from height in drawing
TAS, Grades 6 through 8 or 9	32"	Subtract 2" from height in drawing
TAS, Pre-K through Grades 5 or 6	30"	Subtract 4" from height in drawing

Step 1: Rough-in

- a. When installing the fixture at non-standard height make sure to adjust the dimensions for height as shown on the table on page 4.
- b. Rough in the 1 ½" drain connection through the wall at the location marked with **W** on the drawing on page 4.
- c. Rough in the supply for water. The location of the supplies will depend on the faucets you install on the fixture.
- d. Install four 3/8" anchors on the locations marked with **A** on the drawing on page 4. The anchors should have a pull-out strength of 1000 lbs.

Step 2: Installing the mounting frame

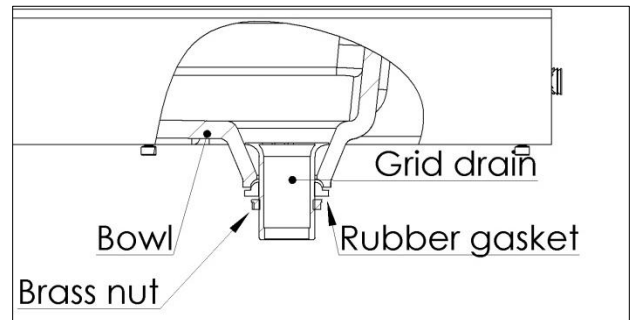
- a. Mount the brackets to the bowl with the supplied allen screws and washers



Installation

Step 3: Installing drain assembly

- a. Position the grid drain in the drain hole.
- b. Put the rubber gasket and the brass nut over the grid drain on the underside of the bowl.
- c. Tighten the brass nut firmly so no water can pass between the grid drain and the bowl. If necessary use plumber's putty.
- d. Assemble the p-trap by connecting it to both the tailpiece of the grid drain and the 1 ½" drain stub in the wall.



Step 4: Mounting the fixture to the wall

- a. Mount the fixture to the wall with 3/8" anchors. Make sure that the anchors have a pull out strength of 1000 lbs.

Installation

Maintenance

Solidsan[®] bowl

Solidsan[®] is a solid surface material made of acrylic modified polyester resins, aluminum trihydrate fillers and color granules. This synthetic compound material has an elegant granite-like appearance. Solidsan[®] is not only virtually indestructible and easy to maintain, but equally matches perfectly from an aesthetic viewpoint, this resulting in a remarkable design with soft, rounded shapes, ideal for the public washroom.

- Daily care: wipe the surface with soapy water or a damp cloth.
- Surface staining: clean the surface with soapy water or ammonia based cleansers.
- Stubborn stains and superficial scratches: clean the surface with an abrasive cleanser and a wet sponge. You can also use a green Scotch Brite[®] pad.
- Stubborn scratches: sand with 400 grit sandpaper and then clean with an abrasive cleanser and a green Scotch Brite[®] pad.
- AVOID contact with harsh chemicals such as drain cleansers and paint removers.
- AVOID contact with hot pots or heat producing appliances.

Installation

Parts

