

- Made from anti-bacterial Solidsan;
- 5 year warranty on material, 3 year warranty on components.

SDC01 – Single user Solidwave Classic TECHNICAL INFORMATION

Material & Construction

The countertop is made from anti-microbial Solidsan. Solidsan is a composite material of acrylic polyester polymer resins and aluminum trihydrate fillers. The material is resistant to stains and burns and complies with ANSI Z124.3. Solidsan cleans easily with Scotchbrite®, household cleaners or fine grit sandpaper. Solidsan® is available in 23 colors.

The Solidwave Classic includes heavy gauge steel powder coated support brackets, a stainless steel skirt and side panels, a steel bottom plate and a chromed strainer.

Anti-microbial

The Solidsan bowl and sides are manufactured with an anti-microbial agent. The agent is present both on the surface and on the inside of the material and will not dissipate or scratch off. In contact with moisture, anti-microbial ions will be released and effectively kill bacteria.



Standard Equipment:

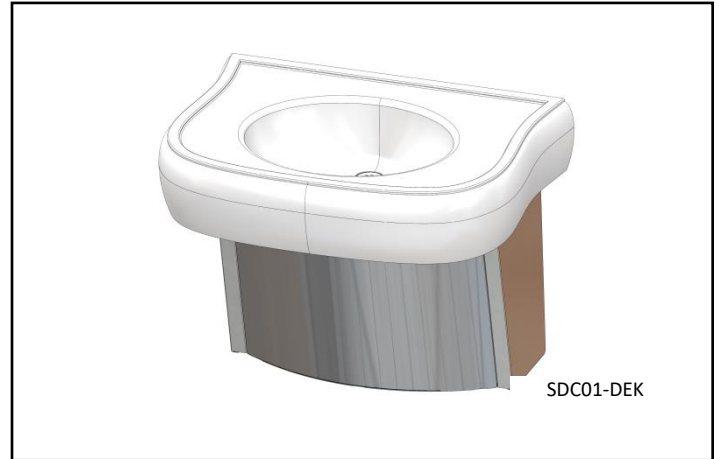
Countertop in anti-bacterial solid surface material, stainless steel skirt, steel mounting brackets, steel bottom plate, chromed brass tail piece, and stainless strainer.

Optional Equipment:

The Streamlav Wing can be supplied with any of Intersan's faucets or can be drilled for faucets by others.

Application

The Streamlav Wing is intended exclusively for hand washing. It is not designed to dispense water for drinking or use in the preparation of food and beverages.



SDC01-DEK

LEED Compliance

When supplied with Intersan's faucets, The Streamlav Wing contributes to meeting LEED requirements in the following categories:

- WEp1 - Water Efficiency
- WEC3 - Water Use Reduction

Each of Intersan's faucets has a standard flow rate of 0.35 gpm.

Accessibility

Standard Height: The Streamlav Wing is designed to meet all ADA and TAS guidelines when mounted at the standard rim height of 34".

When used in combination with one of Intersan's faucets, the wash basin is compliant with ADA requirements for operation.

Lead Free

The Solidwave Classic with any of Intersan's faucets will be compliant with NSF/ANSI 372 meeting the Lead-Free content requirement.

Warranty: 5 years limited warranty on material and 3 years limited warranty on components.

SAMPLE SPECIFICATION

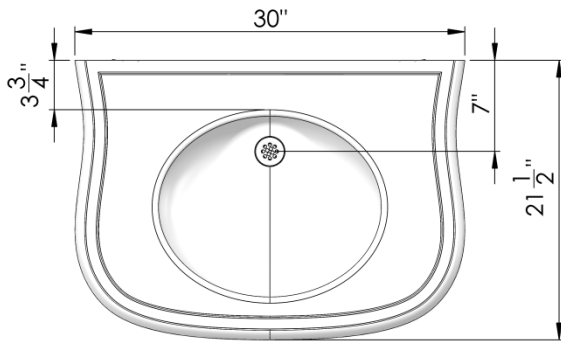
Fixture shall be Intersan Solidwave Classic single user hand wash station. Countertop is made from anti-microbial solid surface. The unit will have a solid surface countertop, stainless steel skirt and will have no overflow. The unit will be 30" wide.

The unit is furnished with a *Line6/Line7/Line8 faucet*.

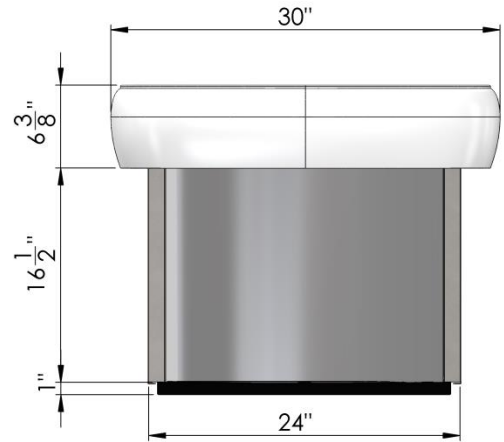


WARNING: Cancer and Reproductive Harm
www.P65Warnings.ca.gov

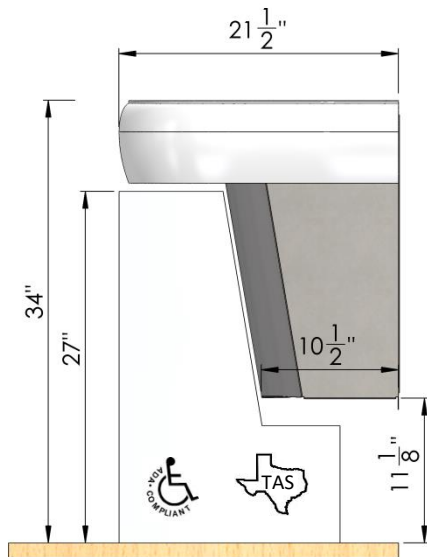
Top View



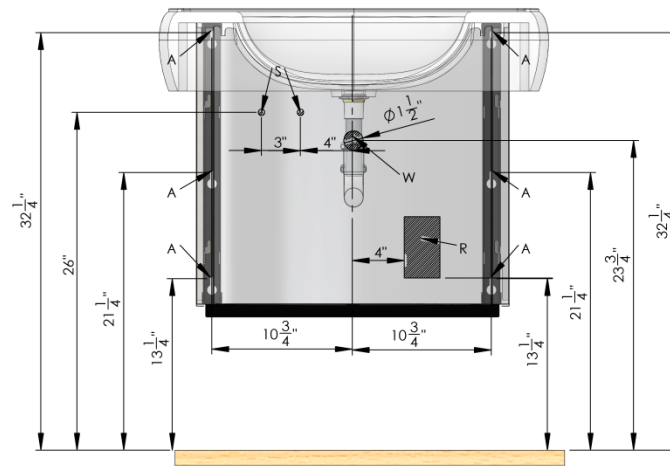
Front View



Side View – Mounted at Standard ADA Height



Rough-in Dimensions SDC01



* All vertical measurements are measured from the FINISHED floor

Code	Description
A	1/4" Anchors for support brackets with a pull out strength of min. 1000 lbs.
W	1 1/2" NPT Drain, stub out 2"
S	1/2" copper tubing for hot& cold supplies, stub out 2" from wall
R	110V GFCI outlet

SDC01 - series
Solidwave Classic - Single user lavatory system



Base Model Number (must specify)	
<input type="checkbox"/> SDC01	Single user Solidwave Classic
Operation (must specify):	
<input type="checkbox"/> -L06	Line 6 faucet
<input type="checkbox"/> -L07	Line 7 faucet
<input type="checkbox"/> -L08	Line 8 faucet
<input type="checkbox"/> -DEK	No faucets, deck only
Supply (for units with Intersan faucets only):	
<input type="checkbox"/> -TEM	Tempered or cold water
<input type="checkbox"/> -TMV	Thermostatic mixing valve (hot & cold water)
Colors (must specify):	
Standard Colors:	
<input type="checkbox"/> -AB	Adobe brown
<input type="checkbox"/> -AW	Ash white
<input type="checkbox"/> -CG	Country Green
<input type="checkbox"/> -DS	Desert sand
<input type="checkbox"/> -MB	Midnight blue
<input type="checkbox"/> -MG	Misty grey
<input type="checkbox"/> -PB	Pearl black
<input type="checkbox"/> -TG	Twilight grey
Designer Colors:	
<input type="checkbox"/> -AL	Almondine
<input type="checkbox"/> -BW	Birch Wood
<input type="checkbox"/> -BN	Bone
<input type="checkbox"/> -CB	Canyon Brown
<input type="checkbox"/> -CC	Chocolate Chip
<input type="checkbox"/> -DE	Desert Snow
<input type="checkbox"/> -DB	Designer Black
<input type="checkbox"/> -GW	Glacier White
<input type="checkbox"/> -LB	Lotus Blossom Green
<input type="checkbox"/> -NB	Neptune Blue
<input type="checkbox"/> -OW	Oyster White
<input type="checkbox"/> -RR	River Rock
<input type="checkbox"/> -TB	Tranquil Blue
Solid Colors:	
<input type="checkbox"/> -BI	Biscuit
<input type="checkbox"/> -CG	Country Grey
<input type="checkbox"/> -DB	Designer Black
<input type="checkbox"/> -PW	Polar White
Soap:	
<input type="checkbox"/> -	No soap
<input type="checkbox"/> -SD7	Line 7 Soap dispenser
<input type="checkbox"/> -SD8	Line 8 Soap dispenser
Other Options:	
<input type="checkbox"/> -HW	Low voltage class II transformer with plug (1 per faucet)
<input type="checkbox"/> -CS	Drilling of 1 1/4" hole for centerset faucet
<input type="checkbox"/> -4C	Drilling of 3 x 1 1/4 hole for 4" center faucet
<input type="checkbox"/> -2L	2.0 gpm laminar nozzle (splashing may occur)
<input type="checkbox"/> -1.5L	1.5 gpm laminar nozzle (splashing may occur)