

Solidwave - Single user hand wash system

- Anti-microbial surface
- ADA & TAS compliant
- Contributes to LEED requirements
- 5 year warranty on material, 3 year on components

MATERIAL AND CONSTRUCTION

The countertop, backsplash and apron are made from anti-microbial Solidguard. Solidguard is a composite material of acrylic polyester polymer resins and aluminum trihydrate fillers. The material is resistant to stains and burns and complies with ANSI Z124.3. Solidguard cleans easily with Scotchbrite®, household cleaners or fine grit sandpaper. Solidguard is available in 16 colors.

The skirting, front and side access panels are made from 304 stainless steel. Each front door panel is accessible with vandal resistant locks for easy access to the stops and drain assembly.

ANTI-MICROBIAL

The fascia of the solid surface Thrii units are manufactured with an anti-microbial agent. The agent is present both on the surface and on the inside of the material and will not dissipate or scratch off. In contact with moisture, anti-microbial ions will be released and effectively kill bacteria.



ACTIVATION

Infrared detection is standard (Model#: SWV01-SEN). The system is operated by a 6V lithium battery and reacts to hands detection field. As an alternate the unit can be supplied with a plug-in transformer (Option suffix: -HW).

As an alternate the water distribution heads can be equipped with a pushbutton metering valve (Model#: SWV01-INH). The timing of the water is factory preset at 10 seconds.

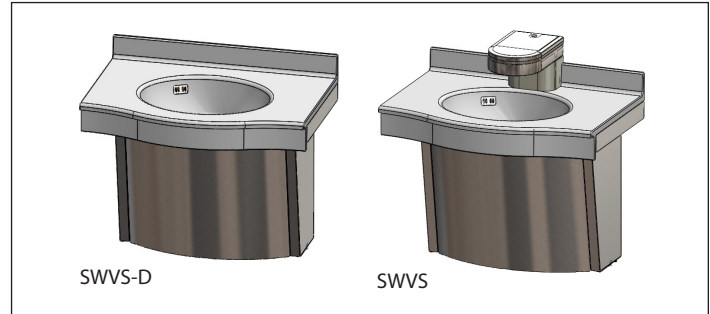
The Solidwave can also be activated by electronic piezo touch buttons (Model#: SWV01-PZO). A very light touch on the button will open the solenoid valve. The water will flow for 10 seconds and can be shut off before earlier. An automatic flushing cycle that flushes the unit every 24 hrs can be programmed to help prevent the growth of legionnaires' bacteria (Option Suffix: -FC).

As an alternate the Solidwave can be supplied with any of Intersan's electronic faucets.

SOAP DISPENSER

The Solidwave is available with an integral hands-free soap dispenser. This soap dispenser will supply 1.2 ml of concentrated soap, immediately followed by the flow of water. This soap system works on the pressure of water and doesn't require any extra power source.

The pushbutton and piezo units are available with a manual pushbutton soap dispenser that is fully integrated in the water distribution head.



LEED COMPLIANCE



The Solidwave® contributes to meeting LEED requirements in the following categories:

- WEp1 - Water Efficiency
- WEc3 - Water Use Reduction

Each nozzle has a flow rate of 0.5 gpm. The water cycle for the pushbutton and piezo operated units lasts 10 seconds which means that 0.083 gallons of water is used per cycle. 0.35 gpm nozzles are standard on Intersan's faucets.

The electronic soap dispenser option works on the existing water pressure and doesn't require any outside power.

ACCESSIBILITY

The Solidwave® complies with ADA, TAS, CAL and UFAS requirements for reach, clearance and operation.

APPLICATION

The Solidwave is intended exclusively for hand washing. It is not designed to dispense water for drinking or use in the preparation of food and beverages.

OPERATING RANGE

20 to 100 psi of flowing pressure, measured at the inlet of the control valve when the unit is spraying.

WARRANTY

5 years limited warranty on material and 3 years limited warranty on components. 1 warranty on Intersan faucets.

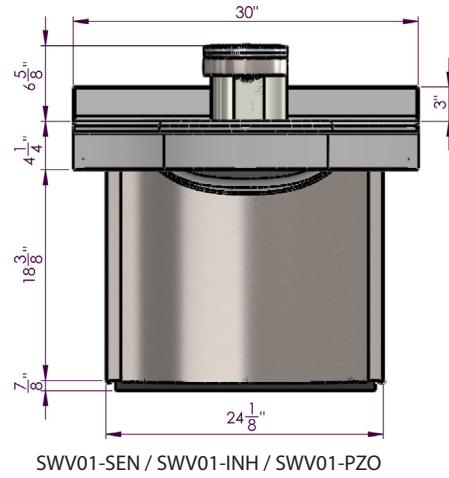
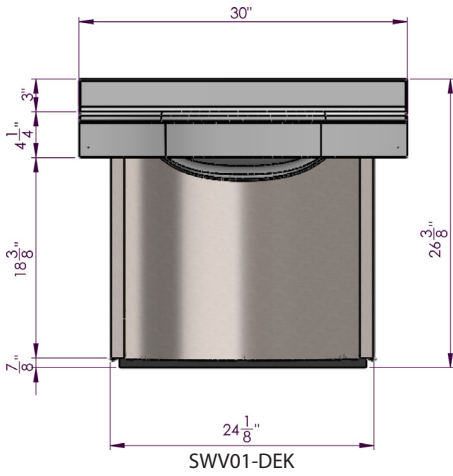
SAMPLE SPECIFICATION

Fixture shall be Intersan Solidwave® single station handwash station (specify model and optional equipment). The bowl and deck is to be made from anti-bacterial Solidguard material and shall conform with ANSI Z124.3. The water distribution head shall be polished stainless steel and shall include an infrared detection system (alternate: pushbutton air-controlled metering valve/piezo touch activation/Line6/Line7/Line8), and will be equipped with a thermostatic mixing valve, check valves, 0.5 gpm vandal resistant nozzle and (optional) hands-free soap system. When mounted at 34" the unit will conform with ADA requirements. The fixture shall have a warranty of 5 years on material and 3 years on components.

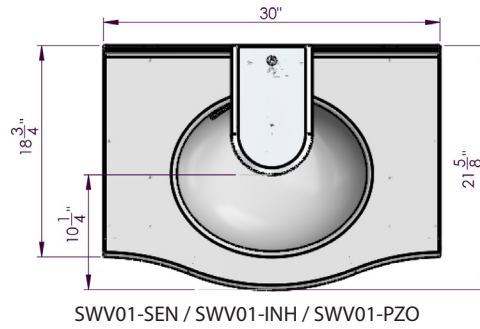
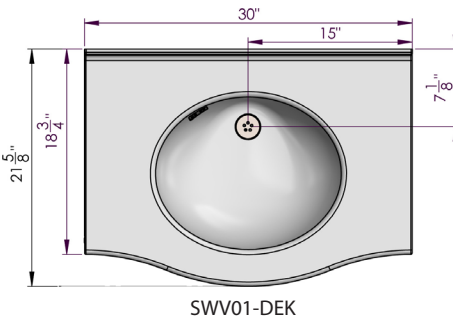


WARNING: Cancer and Reproductive Harm
www.P65Warnings.ca.gov

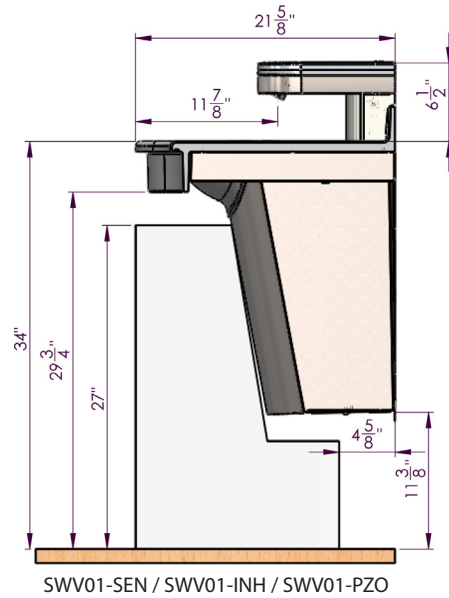
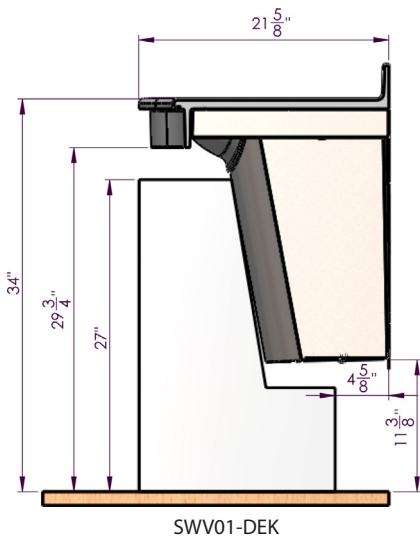
Front View



Top View

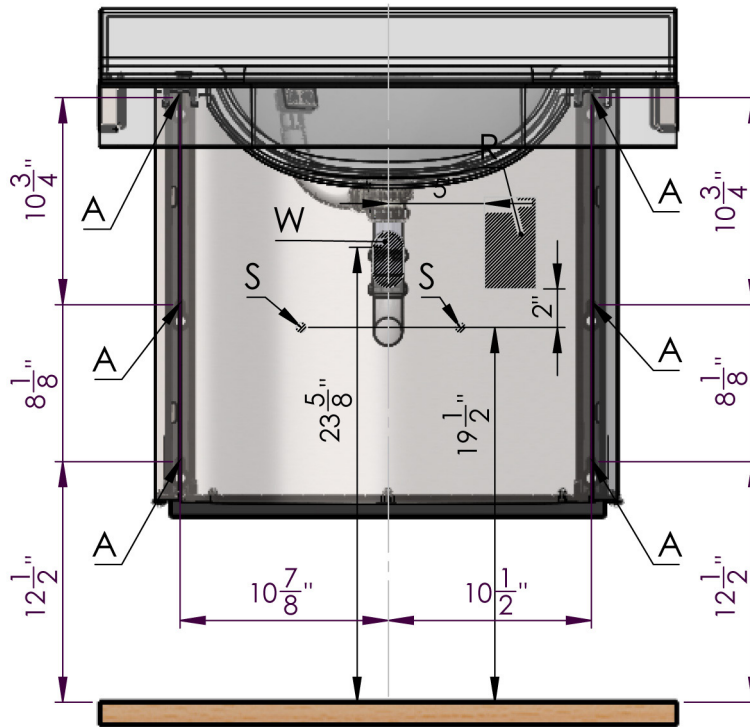


Side View



All information including dimensions, changes in design and material are subject to manufacturer's change without formal notice and without obligation. Intersan assumes no responsibility for use of superseded or voided information. Verify all rough-in information before installation. It is the responsibility of the installer to conform with local and national codes.

Rough-in Dimensions



Standard	Rim Height	Adjustment of height
ADA & TAS Adult	34"	None
ADA Juvenile, Ages 6-12		Does not comply
TAS, Grades 6 through 8 or 9		Does not comply
TA, Pre-K through grades 5 or 6		Does not comply

Notes:

1. Electrical receptacle must be wired to a GFCI protected circuit. Fixture must be earth grounded.
2. Consult local electrical code for need and use of extra electrical conduit box.

<u>Base Model Number (must specify)</u>	
<input type="checkbox"/> SWV01	Single user Solidwave
<u>Operation (must specify)</u>	
<input type="checkbox"/> -SEN	Sensor operated sprayhead
<input type="checkbox"/> -INH	Pushbutton sprayhead
<input type="checkbox"/> -PZO	Piezo touch activated sprayhead
<input type="checkbox"/> -L06	Line 6 faucet
<input type="checkbox"/> -L07	Line 7 faucet
<input type="checkbox"/> -L08	Line 8 faucet
<input type="checkbox"/> -DEK	Faucets by others
<u>Soap (must specify)</u>	
<input type="checkbox"/> -N	No soap
<input type="checkbox"/> -L	Liquid soap (for Intersan sprayheads only)
<input type="checkbox"/> -SD7	Line 7 soap dispenser (for faucets only)
<input type="checkbox"/> -SD8	Line 8 soap dispenser (for faucets only)
<u>Supply (must specify)</u>	
<input type="checkbox"/> -TEM	Tempered or cold water
<input type="checkbox"/> -TMV	Thermostatic mixing valve (hot and cold water)
<input type="checkbox"/> -STE	240 volt instantaneous water heater
<u>Color (must specify)</u>	
Standard colors:	
<input type="checkbox"/> -AB	Adobe Brown
<input type="checkbox"/> -AW	Ash White
<input type="checkbox"/> -CG	Country Green
<input type="checkbox"/> -DS	Deserd Sand
<input type="checkbox"/> -MB	Midnight Blue
<input type="checkbox"/> -MG	Misty Grey
<input type="checkbox"/> -PB	Pearl Black
<input type="checkbox"/> -TG	Twilight Grey
Designer colors:	
<input type="checkbox"/> -AL	Almondine
<input type="checkbox"/> -BW	Birch Wood
<input type="checkbox"/> -CB	Canyon Brwon
<input type="checkbox"/> -CC	Chocolate Chip
<input type="checkbox"/> -DE	Desert Snow
<input type="checkbox"/> -GW	Glacier White
<input type="checkbox"/> -LB	Lotus Blossom Green
<input type="checkbox"/> -NB	Neptune Blue
<input type="checkbox"/> -OW	Oyster White
<input type="checkbox"/> -RR	River Rock
<input type="checkbox"/> -TB	Tranquil Blue
Solid colors:	
<input type="checkbox"/> -BI	Biscuit
<input type="checkbox"/> -CD	Country Grey
<input type="checkbox"/> -DB	Designer Black
<input type="checkbox"/> -PW	Polar White
<u>Other Options</u>	
<input type="checkbox"/> -HW	Low voltage class II plug-in transformer
<input type="checkbox"/> -0.35L	0.35 gpm nozzle for sprayhead
<u>Drilling Options (for units without faucets)</u>	
<input type="checkbox"/> -CS	Centerset shank
<input type="checkbox"/> -4"	4" centerset (3 holes)
<input type="checkbox"/> -8"	8" centerset (3 holes)